

ALGOR

AUM745-44SS / AUM745-44GM Sink

Top-Mount, Undermount



DIMENSIONS

745 x 440 x 220 mm

CUTOUT

Topmount: 725 x 420 mm

Undermount: 708 x 403 mm x R12

DESIGN AND MATERIALS

Material: SS304 Stainless steel

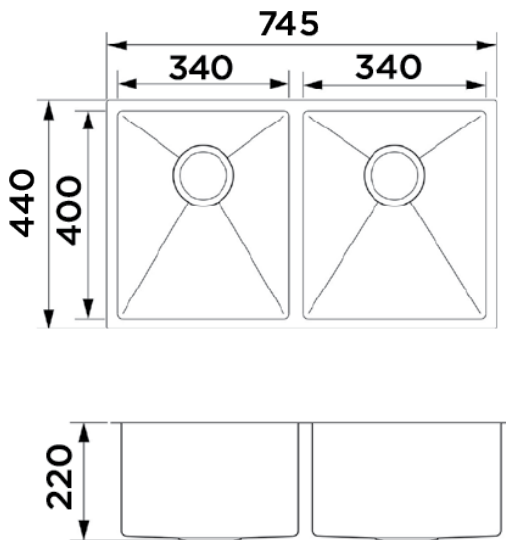
FEATURES

Double bowl with sound pad and undercoating

Thickness: 1.2 mm

Finishing: Brushed surface

Corner: Radius 10



FINISH

Available in 2 colors



Stainless steel



Black

Despite careful data management, our brands reserve the right to make changes, and discrepancies may occur.

MVP APPLIANCES

Head Office / Showroom Dubai
PO Box 37959, Dubai
+971 4 380 9490

Showroom Abu Dhabi
PO Box 28239, Abu Dhabi
+971 2 444 6160

Service Center
UAE 600 555 602



MVPAPPLIANCES.COM