

Coffee machine FL 2998 600

Ovens and Coordinated Products

Code: 2998 600



DETAILS

Supply 220-240V 50Hz

Notifications sensor and water lack indicator

Cappuccino steam supply (for cappuccino) and boiling water (infusions)

Loading automatic opening and closing of the pod tray and safety lock

Water filling Removable 2.5 liter container (no water connection required)

Commands touch-control display and intuitive electronic programming

Dimensions 60x46 cm

Operation with ESE pods (Easy Serving Espresso: coffee, barley, tea, ginseng)

Lighting 3 LED light points

Material/Finish black mirror glass

Operating pressure 20 bar

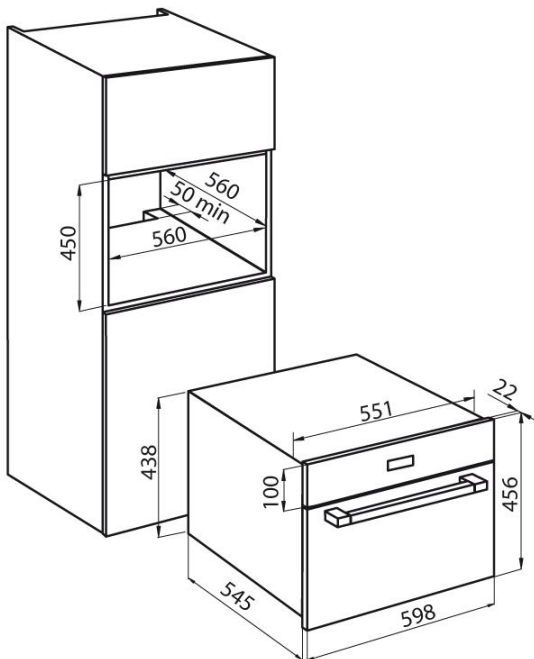
Cleaning removable drip tray

Oven type Coffee machine

Type of commands Touch Control

Storage compartments Side storage compartment (stock of pods, sugar, cups, ...)

TECHNICAL DATA



GALLERY

